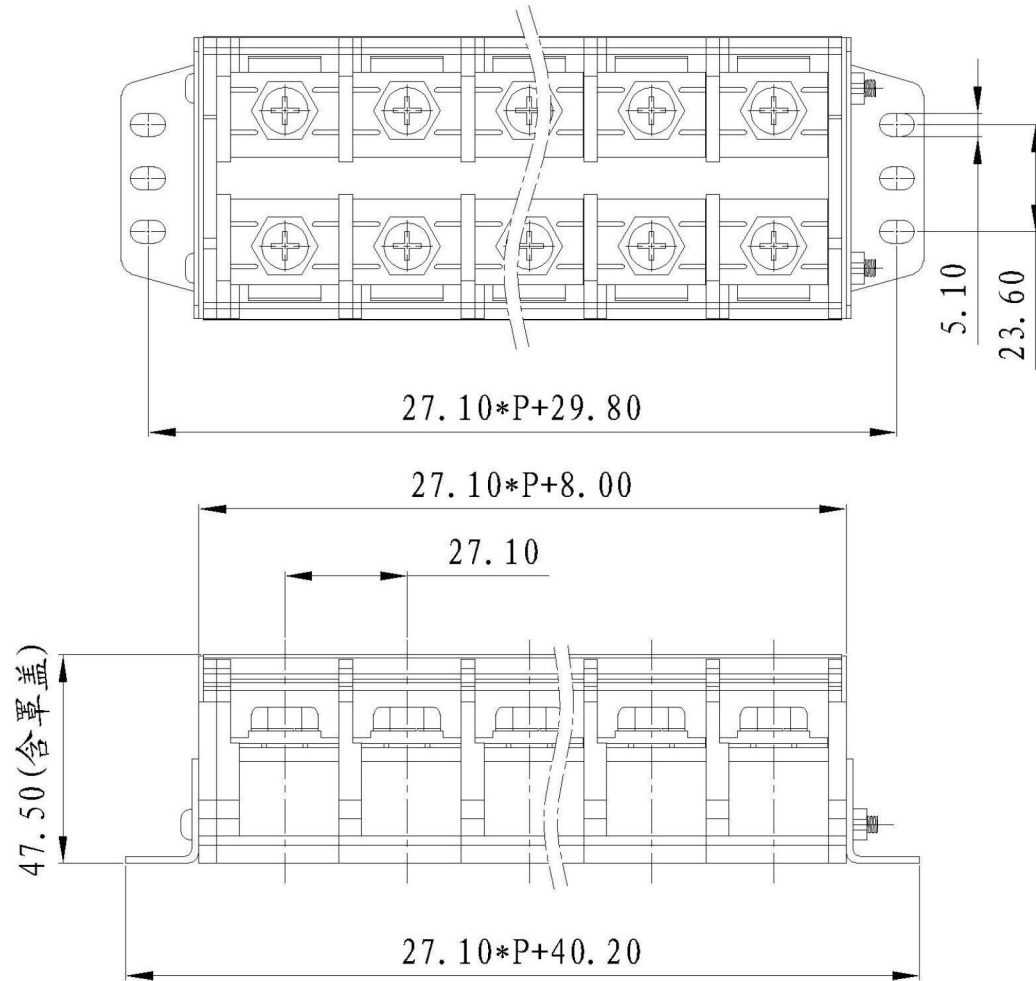


| REVISION RECORD | | | |
|-----------------|---------|------|------|
| REV. | CONTENT | MOD. | DATE |
| △ | 初版发行 | | |



技术要求:

额定电压: 1000V

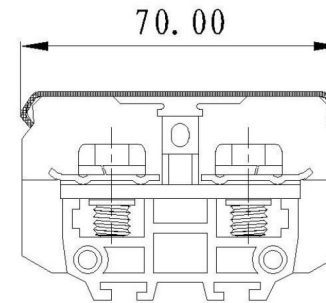
额定电流: 150A

螺钉类型/扭力: M8/6.0-10.0 N.m

绝缘材料类型: PC

阻燃等级: V1

刚性导线: 35mm²



| 8 | TR-150罩盖 | 60TRC701500V | 1 | PC | 镀锌 | | |
|------|--------------|--------------|-----------|--|-------|------------------------------|------------------------------------|
| 7 | TR-80螺母 | SMN0B000001V | 2 | 黄铜 | 镀锌 | 两者起固定 联接作用 | |
| 6 | TR-150螺杆 | SG00A000001V | 2 | 铁 | 镀锌 | | |
| 5 | TR-固定件 | 60TRKDD150AV | 2 | 铁 | | 镀锌 | |
| 4 | TR-150螺丝 | SWOSA801601V | 2P | 碳钢 | | 镀镍 | |
| 3 | TR-150导电件 | 60TRBDD150AV | P | H62 | | 镀镍 | |
| 2 | TR-150端板 | 60TRC301500V | 2 | PC | | 黑色 | |
| 1 | TR-150本体 | 60TRA301500V | P | PC | | 黑色 | |
| NO. | NAME OF PART | NO. OF PART | Q' TY | MATERIAL | NOTES | | |
| DES. | ARKINE | DATE | 2012/6/13 | UNITS | MM | THIRD ANGLE PROJECTION SHEET | |
| CHK. | | DATE | | SIZE | A4 | 1 of 1 | |
| APP. | | DATE | | SCALE | 1:1 | DWG NO. SP-2-6031501 REV: V0 | |
| | | | | 上海有乐电气有限公司 Shanghai Youle Electric Co., Ltd | | TITLE | TR-150A-XXP-130-00A TR-15005组装图 |

| | Pitch dimension | | | Nominal dimension | | | | | — / |
|-----------|-----------------|-------|-------|-------------------|------|------|------|------|---------|
| | over | over | over | over | over | over | over | over | |
| variable | 0 | 6 | 10 | 0 | 30 | 60 | 100 | 150 | □ |
| range | to | to | to | to | to | to | to | to | ○ |
| Tolerance | ±0.1 | ±0.15 | ±0.25 | ±0.2 | ±0.3 | ±0.5 | ±0.7 | ±1.0 | 0.05/10 |