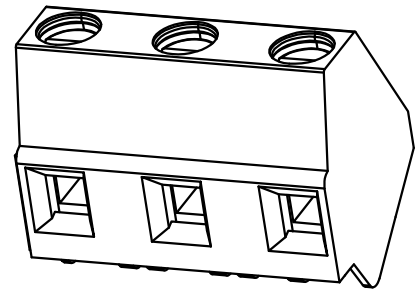
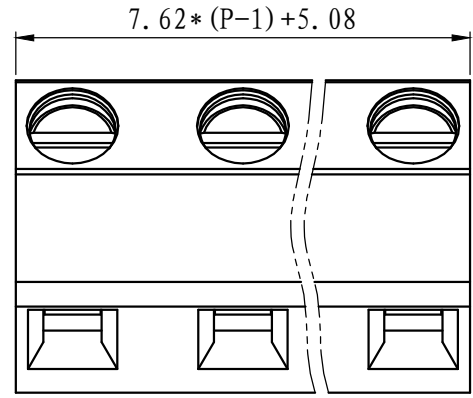


REVISION		RECORD	
REV.	CONTENT	MOD.	DATE
△	新发行		

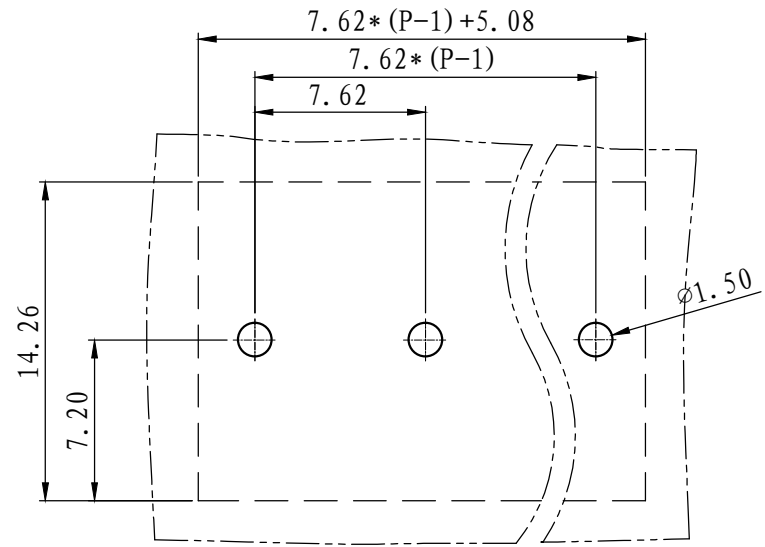
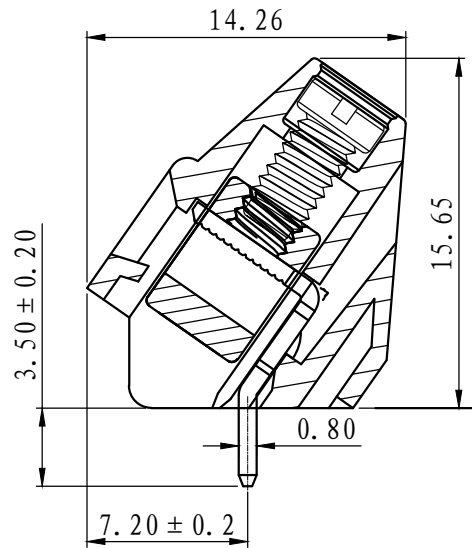
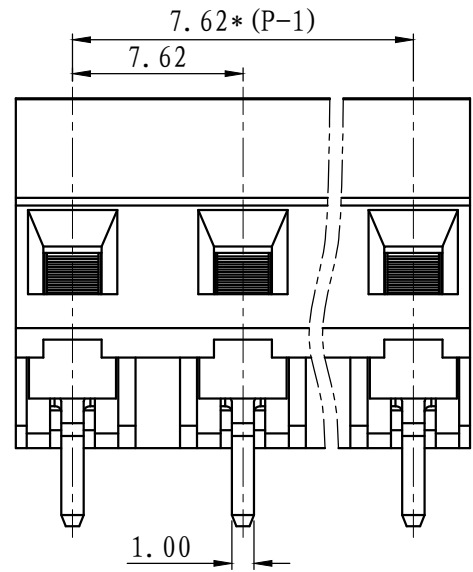


NOTES:

1. Voltage Rating: 300V, Current Rating: 15A
2. PITCH: 5.0mm
3. Insulation Withstands Voltage: AC2500V/min
4. Insulation Resistance: 500MΩ or more at DC500V
5. Using Temperature Range: -40° C - +105° C
6. Suitable Electric Wire: 26-14AWG
7. Screw Torque Value: 0.5Nm

技术要求:

1. 额定电压: 300V, 额定电流: 15A
2. 间距: 5.0mm
3. 耐电压值: AC 2500V/min
4. 绝缘电阻: 500兆欧
5. 使用条件: -40° - +105°
6. 适用线规: 26-14AWG
7. 螺丝扭力: 0.5Nm



	pitch dimension			Nominal dimension					—
	over 0	over 6	over 10	over 0	over 30	over 60	over 100	over 150	
variable range	to 6	to 10	to 24	to 30	to 60	to 100	to 150		□
	to 6	to 10	to 24	to 30	to 60	to 100	to 150		○
Tolerance	±0.1	±0.15	±0.25	±0.2	±0.3	±0.5	±0.7	±1.0	0.05/10

4	LC1-5.08螺丝	SPOYA305301V	P	碳钢	三价铬钝化彩锌	
3	LC1-5.08-铜方块	F1A0BLC50830	P	黄铜	镀镍	
2	LG103-焊脚	2026B0001AV	P	黄铜	镀雾锡	
1	LG103-7.62-本体	2029A0YXXAV	1	PA66-V0		
NO.	NAME OF PART		NO. OF PART	Q' TY	MATERIAL	NOTES
DES.	ZD	DATE	21-1-23	UNITS	MM	THIRD ANGLE PROJECTION
CHK.		DATE		SIZE	A4	1 of 1
APP.		DATE		SCALE	1: 1	REV: V0
上海有乐电气有限公司 Shanghai Youle Electric Co., LTD					TITLE	LG103-7.62-成品
					DWG NO.	SP-2-2029001