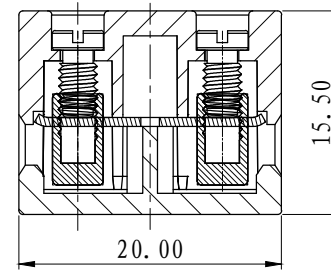
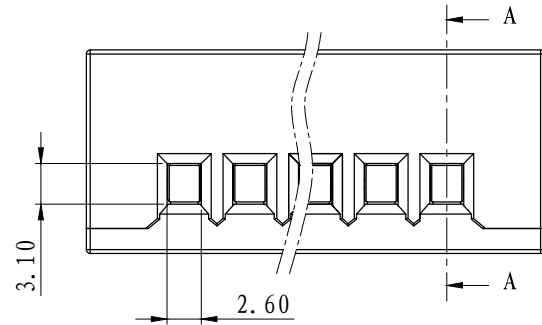
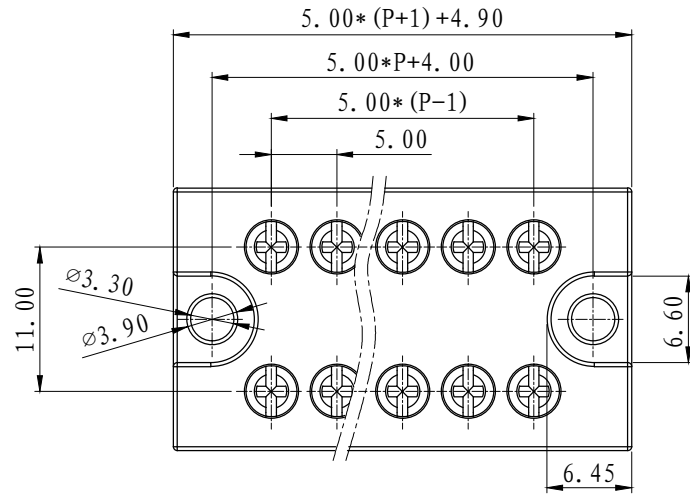


REVISION RECORD			
REV.	CONTENT	MOD.	DATE
△	初版发行		



SECTION A-A


NOTES:

1. Voltage Rating: 300V, Current Rating: 15A
2. PITCH: 5.0mm
3. Insulation Withstands Voltage: AC2500V/min
4. Insulation Resistance: 500M Ω or more at DC500V
5. Using Temperature Range: -40° C ~ +105° C
6. Suitable Electric Wire: 26-14AWG
7. Screw Torque Value: 0.5 N.m

技术要求:

1. 额定电压: 300V, 额定电流: 15A
2. 间距: 5.0mm
3. 耐压值: AC 2500V/min
4. 绝缘阻抗: 500兆欧
5. 使用条件: -40° C ~ +105° C
6. 适用线规: 26-14AWG
7. 螺丝扭力: 0.5 N.m

	pitch dimension			Nominal dimension					— ◇ ○
	over 0	over 6	over 10	over 0	over 30	over 60	over 100	over 150	
variable range	to 6	to 10	to 24	to 30	to 60	to 100	to 150		
Tolerance	±0.1	±0.15	±0.25	±0.2	±0.3	±0.5	±0.7	±1.0	0.05/10

5	H3802-铜方块	F1A0BH38023V	2P	黄铜	镀锌
4	LG128螺丝(十字平头)	SPOFA255101V	2P	碳钢	三价铬钝化彩锌
3	H3802-导电件	4013B0010AV	P	黄铜	镀零锡
2	H3802-盖板	4013C9101AV	1	PC	乳白色
1	H3802-本体	4013A9101AV	1	PC	乳白色
NO.	NAME OF PART	NO. OF PART	Q'TY	MATERIAL	NOTES
DES.	CMZ	DATE	23/08/04	UNITS	MM
CHK.	DATE	SIZE	A4	THIRD ANGLE PROJECTION	
APP.	DATE	SCALE	1:1	DWG NO.	SP-1-H380250
 上海有乐电气有限公司 Shanghai YouLe Electric CO.,LTD				TITLE	H3802-XX-1Y-00A
					H3802-成品