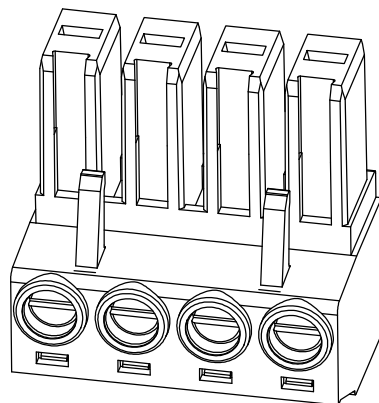
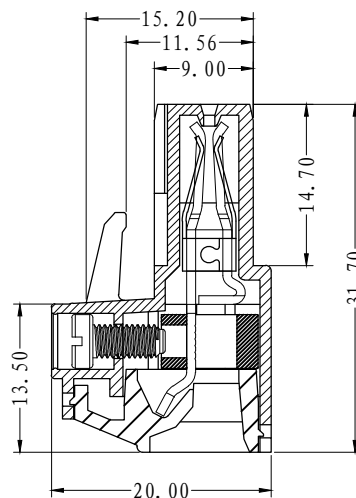
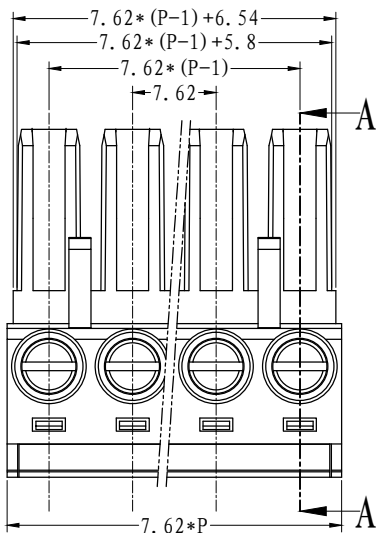


| REVISION | | RECORD | |
|----------|---------|--------|------|
| REV. | CONTENT | MOD. | DATE |
| △ | 初版发行 | | |



NOTES:

1. Voltage Rating: 380V, Current Rating: 32A
2. PITCH: 7.62mm
3. Insulation Withstands Voltage: AC2500V/min
4. Using Temperature Range: $-40^{\circ}\text{C} \sim +105^{\circ}\text{C}$
5. Suitable Electric Wire: 24-10 AWG
6. Screw Torque Value: 0.5Nm
7. Pole:2-12P



SECTION A-A

技术要求:

1. 额定电压: 380V, 额定电流: 32A
2. 间距: 7.62mm
3. 耐电压值: AC2500V/min
4. 使用条件: $-40^{\circ} - +105^{\circ}$
5. 适用线规: 24-10 AWG
6. 螺丝扭矩: 0.5Nm
7. 极数: 2-12线

| | | | | | |
|--|------------------|-----------------|----------|------------------------|----------------------|
| 6 | LC1H-7.62弹片 | F2A0DLC1H7BV | P | 不锈钢 | |
| 5 | LG635螺丝 (M3*6.6) | SPOFA306601V | P | 碳钢 | 三价铬钝化彩锌 |
| 4 | UDK4-铜方块 | F1C0BLC1H03V | P | 黄铜 | 镀镍 |
| 3 | LC1H-7.62-夹子 | 1153B0001AV | P | 紫铜 | 镀镍 |
| 2 | LC1H-7.62-盖板 | 1153COYXXAV | 1 | PA66-V0 | |
| 1 | LC1H-7.62-本体 | 1153A0YXXAV | 1 | PA66-V0 | |
| NO. | NAME OF PART | NO. OF PART | Q' TY | MATERIAL | NOTES |
| DES. | CMZ | DATE 2024/08/27 | UNITS MM | THIRD ANGLE PROJECTION | SHEET |
| CHK. | DATE | SIZE | A4 | | 1 of 1 |
| APP. | DATE | SCALE | 1:1 | DWG NO. | SP-2-1048002 |
| 上海有乐电气有限公司 Shanghai YouLe Electric C O .,LTD | | | | TITLE | LC1H-7.62-XXP-1Y-00A |
| | | | | | LC1H-7.62-成品 |

| | pitch dimension | | | Nominal dimension | | | | | — ◇ ○ |
|----------------|-----------------|--------|---------|-------------------|---------|---------|----------|----------|-------------|
| | over 0 | over 6 | over 10 | over 0 | over 30 | over 60 | over 100 | over 150 | |
| variable range | to 6 | to 10 | to 24 | to 30 | to 60 | to 100 | to 150 | | |
| Tolerance | ±0.1 | ±0.15 | ±0.25 | ±0.2 | ±0.3 | ±0.5 | ±0.7 | ±1.0 | 0.05/10 |