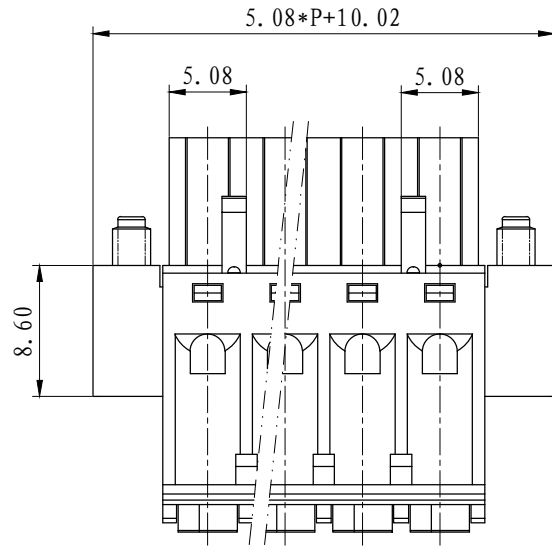


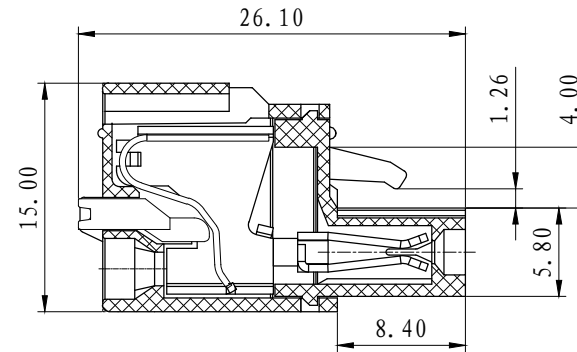
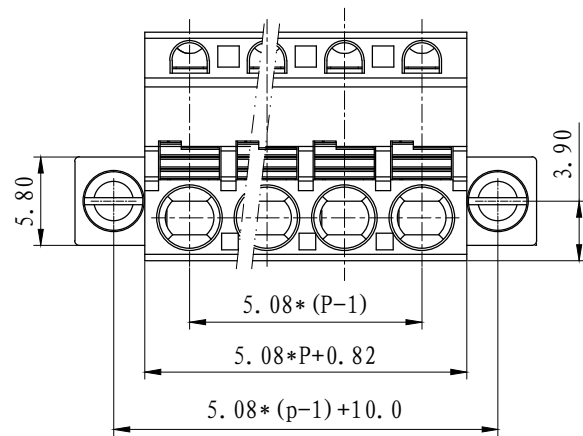
REVISION RECORD			
REV.	CONTENT	MOD.	DATE
△	新发行		



NOTES1:
UL Standard:
1.Voltage Rating: 300V, Current Rating: 10A

NOTES2:
1.Pitch : 5.08mm
2.Withstand Voltage : AC2500V for 1 minute
3.Using Temperature Range : - 40 ~ + 105
4.Suitable Electric Wire: 26-12AWG

技术要求1:
UL 标准:
1. 额定电压: 300V, 额定电流: 10A
技术要求2:
1. 间距: 5.08mm
2. 耐电压值: AC2500V/min
3. 使用条件: -40℃~+105℃
4. 适用线规: 26-12AWG



	pitch dimension			Nominal dimension					— □ ○
	over 0	over 6	over 10	over 0	over 30	over 60	over 100	over 150	
variable range	to 6	to 10	to 24	to 30	to 60	to 100	to 150		
Tolerance	±0.1	±0.15	±0.25	±0.2	±0.3	±0.5	±0.7	±1.0	0.05/10

6	LC1-耳朵螺丝	SPOYA255101V	2	碳钢	三价铬钝化彩锌
5	LC6-5.08-盖子	1020COYXXAV	1	PA66-V0	
4	LC6-5.08-夹子	1020B0001AV	P	磷青铜	镀镍
3	LC6-5.08-弹片	F2A0DLC608BV	P	不锈钢	
2	LC6-5.08-按钮	1020DOYXXAV	P	POM	
1	LC6M-5.08-主体	1020MOYXXAV	1	PA66-V0	
NO.	NAME OF PART	NO. OF PART	Q' TY	MATERIAL	NOTES
DES.	CMZ	DATE 2025/03/25	UNITS	MM	THIRD ANGLE PROJECTION SHEET
CHK.		DATE	SIZE	A4	1 of 1
APP.		DATE	SCALE	1:1	DWG NO. SP-2-1020001 REV: V0
 上海有乐电气有限公司 Shanghai YouLe Electric C O. ,LTD				TITLE	LC6M-5.08-XXP-1Y-00A LC6M-5.08-成品