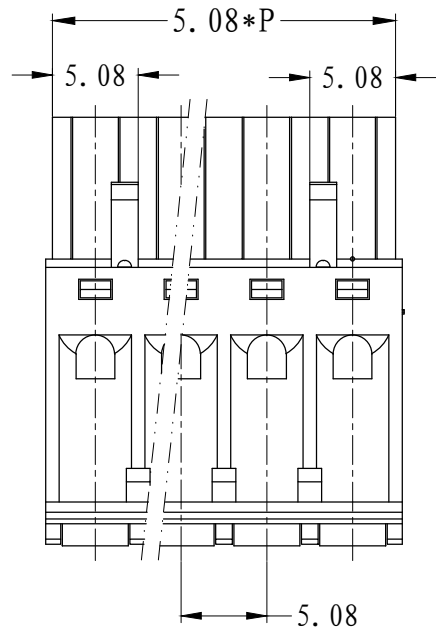


REVISION RECORD			
REV.	CONTENT	MOD.	
△	新发行		



NOTES1:

UL Standard:

1.Voltage Rating: 300V, Current Rating: 10A

NOTES2:

1.Pitch : 5.08mm

2.Withstand Voltage : AC2500V for 1 minute

3.Using Temperature Range : - 40 ~ + 105

4.Suitable Electric Wire: 26-12AWG

技术要求1:

UL 标准:

1. 额定电压: 300V, 额定电流: 10A

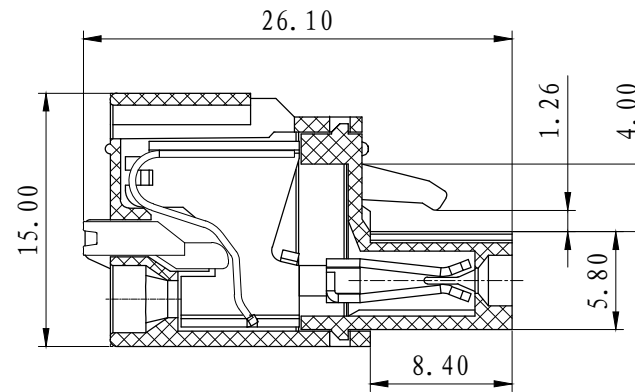
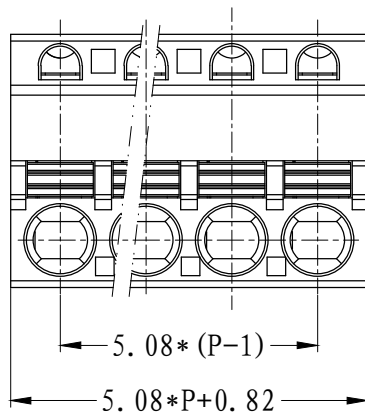
技术要求2:

1. 间距: 5.08mm


2. 耐电压值: AC2500V/min

3. 使用条件: -40℃ ~ +105℃

4. 适用线规: 26-12AWG



	pitch dimension			Nominal dimension					— ▭ ⌒
	over 0	over 6	over 10	over 0	over 30	over 60	over 100	over 150	
variable range	0 to 6	6 to 10	10 to 24	0 to 30	30 to 60	60 to 100	100 to 150		
Tolerance	±0.1	±0.15	±0.25	±0.2	±0.3	±0.5	±0.7	±1.0	0.05/10

5	LC6-5.08-盖子	1020C0YXXAV	1	PA66-V0	
4	LC6-5.08-夹子	1020B0001AV	P	磷青铜	镀镍
3	LC6-5.08-弹片	F2A0DLC608BV	P	不锈钢	
2	LC6-5.08-按钮	1020D0YXXAV	P	POM	
1	LC6-5.08-主体	1020M0YXXAV	1	PA66-V0	
NO.	NAME OF PART	NO. OF PART	Q' TY	MATERIAL	NOTES
DES.	CMZ	DATE 2025/03/25	UNITS	MM	THIRD ANGLE PROJECTION
CHK.		DATE	SIZE	A4	⊕
APP.		DATE	SCALE	1:1	DWG NO. SP-1-1020002 REV: V0
 上海有乐电气有限公司 Shanghai YouLe Electric C O.,LTD				TITLE	LC6-5.08-XXP-1Y-00A LC6-5.08-成品