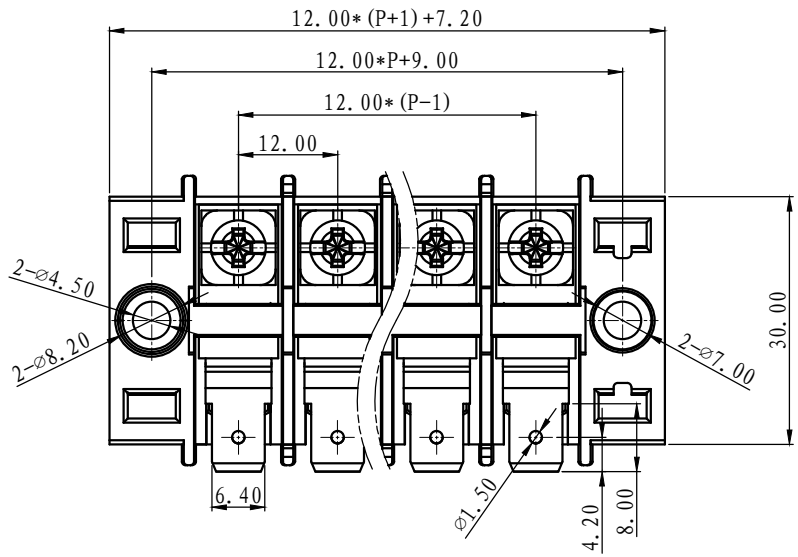
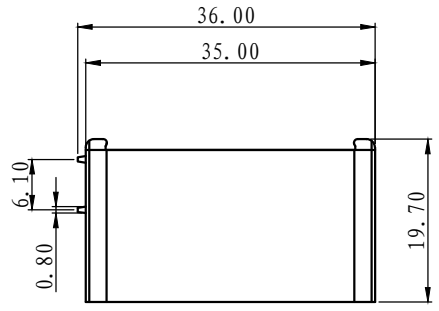
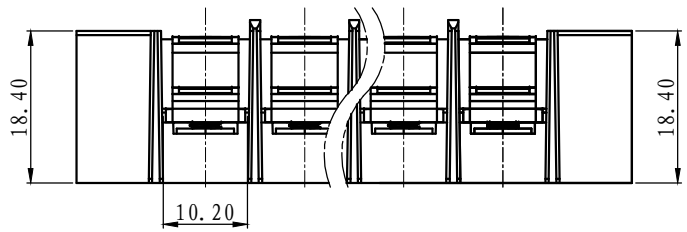


REVISION RECORD			
REV.	CONTENT	MOD.	DATE
△	初版发行		



NOTES:
 Pitch : 12.0mm
 Rated Voltage : 600V
 Rated Current : 25A
 Withstand Voltage :
 AC3000V for 1 minute
 Using Temperature Range :
 - 40℃ ~ +105℃
 Suitable Electric Wire: 22-14 AWG
 Screw Torque Value : M4/1.2Nm
 Adaptable End:FDD1-187(5)

技术要求:
 间距: 12.0mm
 额定电压: 600V
 额定电流: 25A
 耐电压值: AC3000V/min
 使用条件: -40℃ ~+105℃
 适用线规: 22-14 AWG
 螺丝扭矩: M4/1.2Nm
 可适配端头: FDD1-187(5)



	pitch dimension			Nominal dimension					—
	over 0	over 6	over 10	over 0	over 30	over 60	over 100	over 150	
variable range	to 6	to 10	to 24	to 30	to 60	to 100	to 150		▱
Tolerance	±0.1	±0.15	±0.25	±0.2	±0.3	±0.5	±0.7	±1.0	○

5	TB1-25A-白条		1	A4腹膜纸	
4	M4*9-10*10	SPFFA409073V	P	碳钢	镀锌
3	M4外六角螺母	SM00A000004V	P	铁	镀锌
2	JX0-66-导电件	6JX0BDD066AV	P	黄铜	镀镍
1	TB1-25XX-本体(一进二出,一进三出)	6TB1E0Y2XX0V-2	1	PC	
NO.	NAME OF PART	NO. OF PART	Q'TY	MATERIAL	NOTES
DES.	CMZ	DATE 2025/11/27	UNITS mm	THIRD ANGLE PROJECTION	
CHK.		DATE	SIZE A4		
APP.		DATE	SCALE 1:1	DWG NO.	SP-2-6TB1020 REV: V0
上海有乐电气有限公司 Shanghai YouLe Electric CO.,LTD				TITLE	TB1-25XX-B-1Y-00A TB1-25XX-B成品