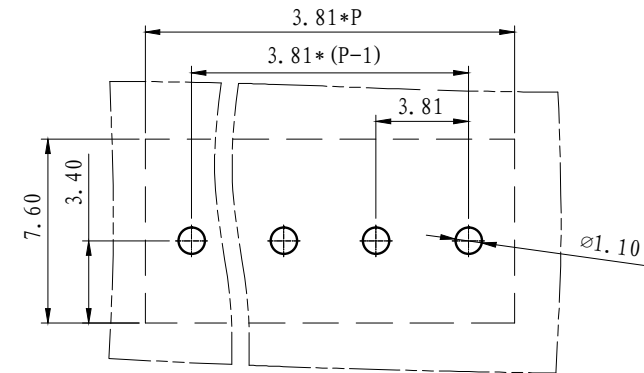
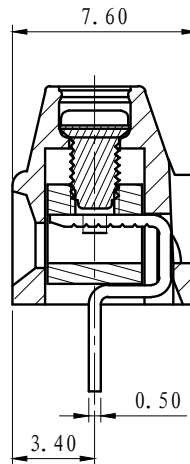
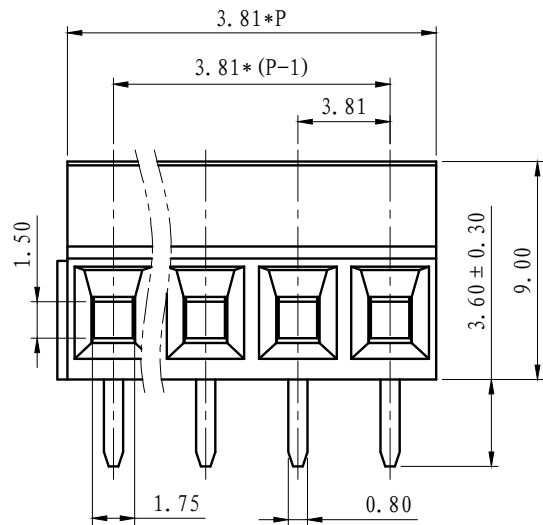
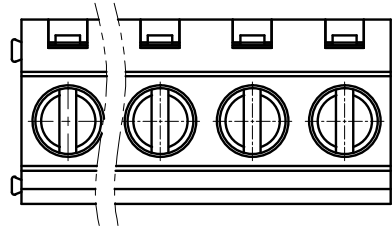


REVISION RECORD			
REV.	CONTENT	MOD.	DATE
△	出版发行		



NOTES1:

UL Standard:

1. Voltage Rating: 300V, Current Rating: 8A

IEC Standard:

1. Voltage Rating: 200V, Current Rating: 8A

技术要求1:

UL 标准:

1. 额定电压: 300V, 额定电流: 8A

IEC 标准:

1. 额定电压: 200V, 额定电流: 8A

NOTES2:

1. PITCH: 3.81mm

2. Insulation Withstands Voltage: AC2500V/min

3. Insulation Resistance: 500MΩ or more at DC500V

4. Using Temperature Range: -40°C - +105°C

5. Suitable Electric Wire: 26-16AWG

6. Screw Torque Value: 0.2 N.m

技术要求2:

1. 间距: 3.81mm

2. 耐电压值: AC 2500V/min

3. 绝缘电阻: 500MΩ/DC500V

4. 使用条件: -40°C - +105°C

5. 适用线规: 26-16AWG

6. 螺丝扭力: 0.2 N.m

	pitch dimension			Nominal dimension					— ◇ ○
	over 0	over 6	over 10	over 0	over 30	over 60	over 100	over 150	
variable range	to 6	to 10	to 24	to 30	to 60	to 100	to 150		
Tolerance	±0.1	±0.15	±0.25	±0.2	±0.3	±0.5	±0.7	±1.0	0.05/10

4	LG381-螺丝	SP0YA203301V	P	碳钢	三价铬钝化彩锌
3	LG381-铜方块	F1A0BLG3813V	P	黄铜	镀镍
2	LG381-短焊脚	2036B0001AV	P	黄铜	镀雾锡
1	LG381-3.81-主体 (拼接背部无燕尾)	2036A0YXXAVP-1	1	PA66	
NO.	NAME OF PART	NO. OF PART	Q'TY	MATERIAL	NOTES
DES.	WY	DATE	2021-4-8	UNITS	mm
CHK.		DATE		SIZE	A4
APP.		DATE		SCALE	1:1
				DWG NO.	SP-2-2036002
				TITLE	LG381-3.81-XXP-1Y-01A
					LG381-3.81-成品 (拼接)



上海有乐电气有限公司
Shanghai YouLe Electric CO., LTD