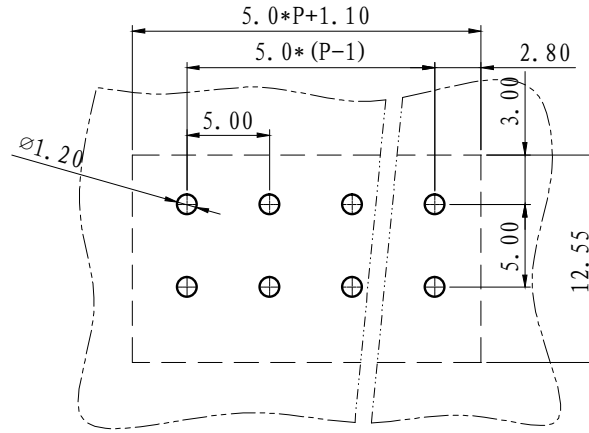
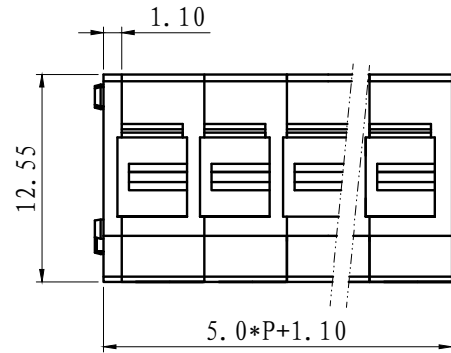
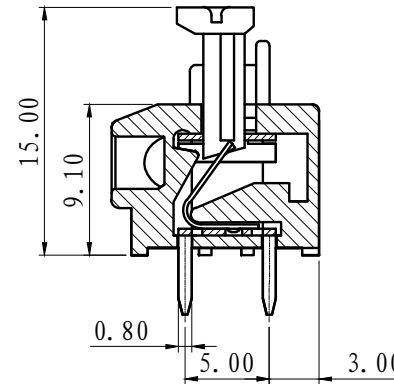
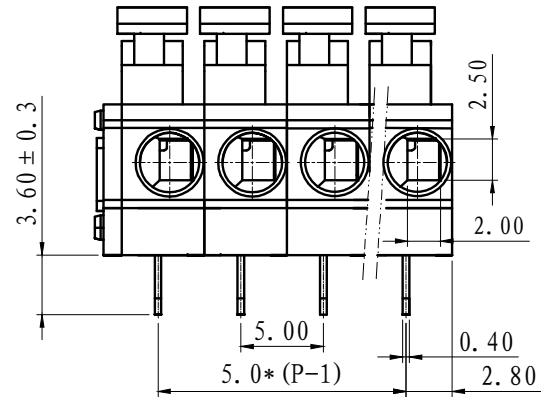


REVISION		RECORD	
REV.	CONTENT	MOD.	DATE
△	初版发行		



NOTES:

1. Voltage Rating: 300V, Current Rating: 10A
2. PITCH: 5.0mm
3. Insulation Withstands Voltage: AC2500V/min
4. Insulation Resistance: 500MΩ or more at DC500V
5. Using Temperature Range: -40° C - +105° C
6. Suitable Electric Wire: 20-18 AWG
7. Button down pressure range: 28-55N
8. Stripping length: 28-55N



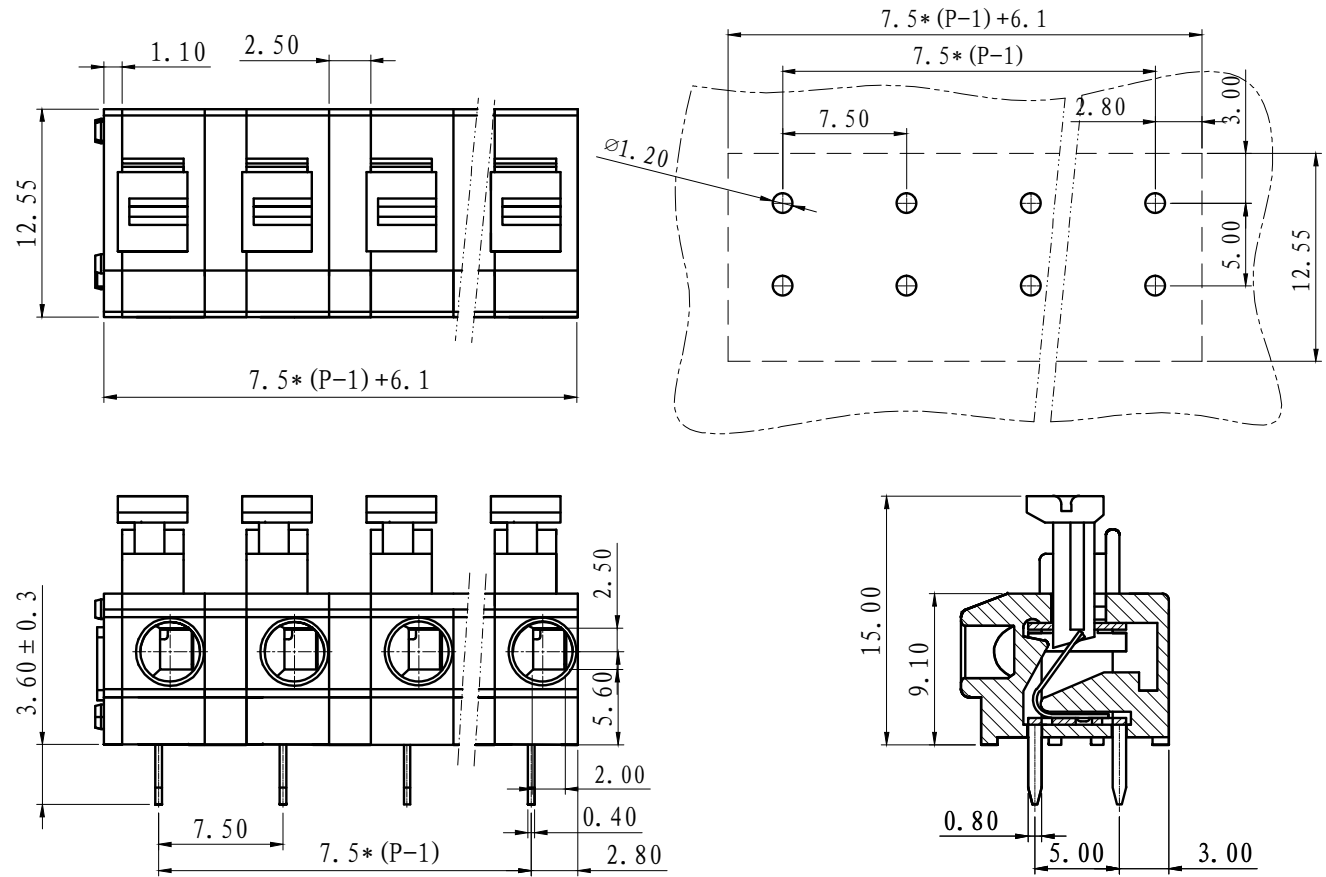
技术要求:

1. 额定电压: 300V, 额定电流: 10A
2. 间距: 5.0mm
3. 耐电压值: AC 2500V/min
4. 绝缘阻抗500兆欧
5. 使用条件: -40° - +105°
6. 适用线规: 20-18 AWG
7. 按钮下压力范围为: 28-55N
8. 剥线长度: 8mm - 10mm

	pitch dimension			Nominal dimension					— ▱ ⌒
	over 0	over 6	over 10	over 0	over 30	over 60	over 100	over 150	
variable range	to 6	to 10	to 24	to 30	to 60	to 100	to 150		
Tolerance	±0.1	±0.15	±0.25	±0.2	±0.3	±0.5	±0.7	±1.0	0.05/10

5	LS235-焊脚	3001B0001AV	P	磷青铜	镀雾锡		
4	LS235-弹片	F2A0DLS235BV	P	SUS301			
3	LS235-按钮	3011D0Y01AV	P	POM			
2	LS235-盖板	3001C1001AV	1	PA66-V0			
1	LS235-5.0-主体	3001A1001AV	P	PA66-V0			
NO.	NAME OF PART	NO. OF PART	Q'TY	MATERIAL	NOTES		
DBS.	ZD	DATE	21-1-28	UNITS	MM	THIRD ANGLE PROJECTION	SHEET
CHK.		DATE		SIZE	A4		1 of 1
APP.		DATE		SCALE	1:1	DWG NO.	SP-2-3001001
				REV: V0			
上海有乐电气有限公司 Shanghai Youle Electric Co., LTD				TITLE		LS235-5.0-XXP-1Y-00A	
						LS235-5.0-成品	

REVISION RECORD			
REV.	CONTENT	MOD.	DATE
△	初版发行		



NOTES:

1. Voltage Rating: 300V, Current Rating: 10A
2. PITCH: 7.5mm
3. Insulation Withstands Voltage: AC2500V/min
4. Insulation Resistance: 500MΩ or more at DC500V
5. Using Temperature Range: -40° C - +105° C
6. Suitable Electric Wire: 20-18 AWG
7. Button down pressure range: 28-55N
8. Stripping length: 8-10mm

技术要求:

1. 额定电压: 300V, 额定电流: 10A
2. 间距: 7.5mm
3. 耐电压值: AC 2500V/min
4. 绝缘阻抗: 500兆欧
5. 使用条件: -40° - +105°
6. 适用线规: 20-18 AWG
7. 按钮下压力范围为: 28-55N
8. 剥线长度: 8-10mm

	pitch dimension			Nominal dimension					— ◇ ○
	over 0 to 6	over 6 to 10	over 10 to 24	over 0 to 30	over 30 to 60	over 60 to 100	over 100 to 150	over 150	
variable range	0 to 6	6 to 10	10 to 24	0 to 30	30 to 60	60 to 100	100 to 150	150	0.05/10
Tolerance	±0.1	±0.15	±0.25	±0.2	±0.3	±0.5	±0.7	±1.0	0.05/10

6	LS235-焊脚	3001B0001AV	P	磷青铜	镀雾锡
5	LS235-弹片	F2A0DLS235BV	P	SUS301	
4	LS235-按钮	3011D0Y01AV	P	POM	
3	LS235-盖板	3001C1001AV	1	PA66-V0	
2	LS235-2.5-隔板	3001H1001AV	P-1	PA66-V0	
1	LS235-5.0-主体	3001A1001AV	P	PA66-V0	
NO.	NAME OF PART	NO. OF PART	Q' TY	MATERIAL	NOTES
DWG.	ZD	DATE	21-1-28	UNITS	MM
CHK.		DATE		SIZE	A4
APP.		DATE		SCALE	1: 1
				DWG NO.	SP-2-3001002
				REV:	V0
上海有乐电气有限公司 Shanghai Youle Electric Co., LTD				TITLE	LS235-7.5-XXP-1Y-00A LS235-7.5-成品